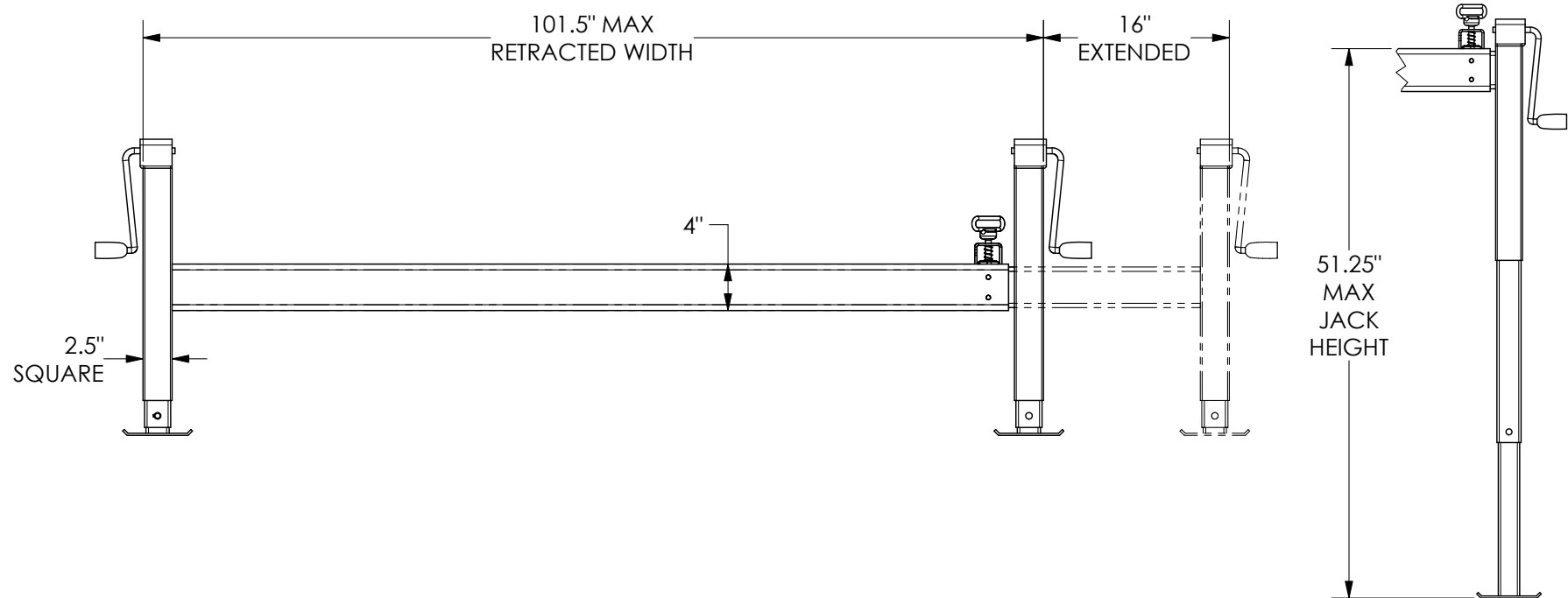




TIGER

CRANES

11K Outrigger Specifications



- For use with a 11,000 ft-lb crane
- 16" extension
- 8,000 lb sidewind jacks with drop legs.
- Stationary arm tube is to be cut to length and welded to the jacks by the customer.
- Outrigger can have any retracted length up to 101.5", jack height or jack handle orientation.