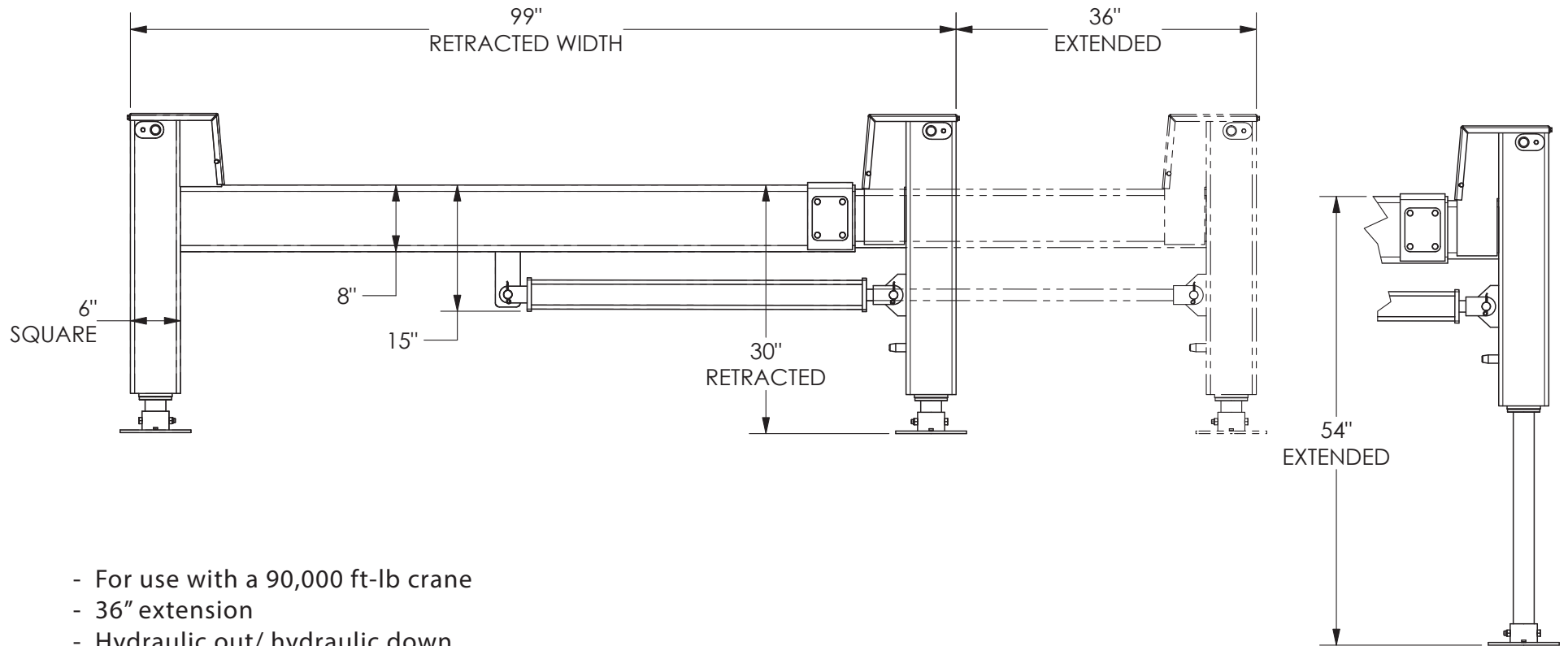




# TIGER

CRANES

## 90K Outrigger Specifications



- For use with a 90,000 ft-lb crane
- 36" extension
- Hydraulic out/ hydraulic down
- Internally routed hydraulic hoses